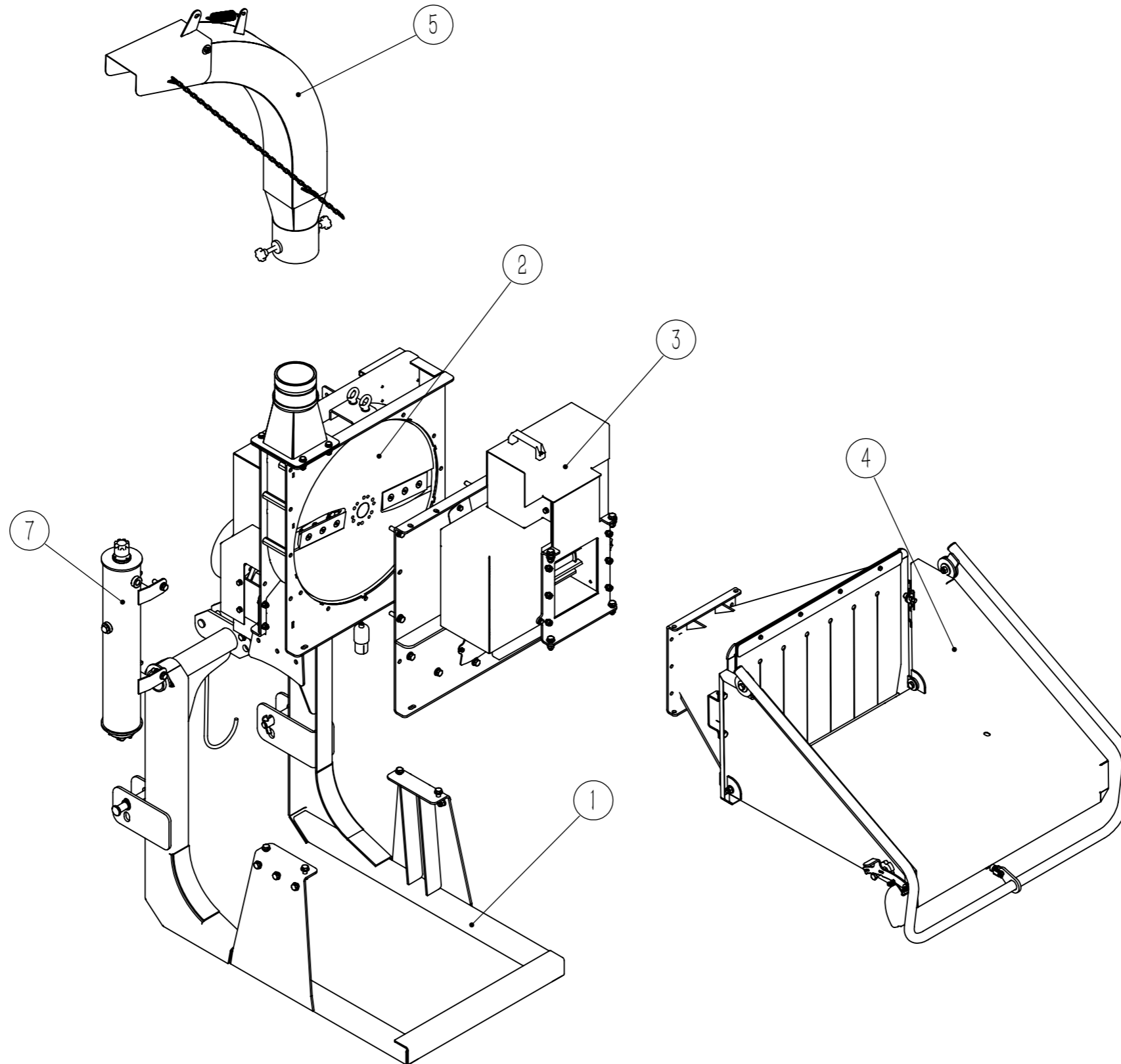
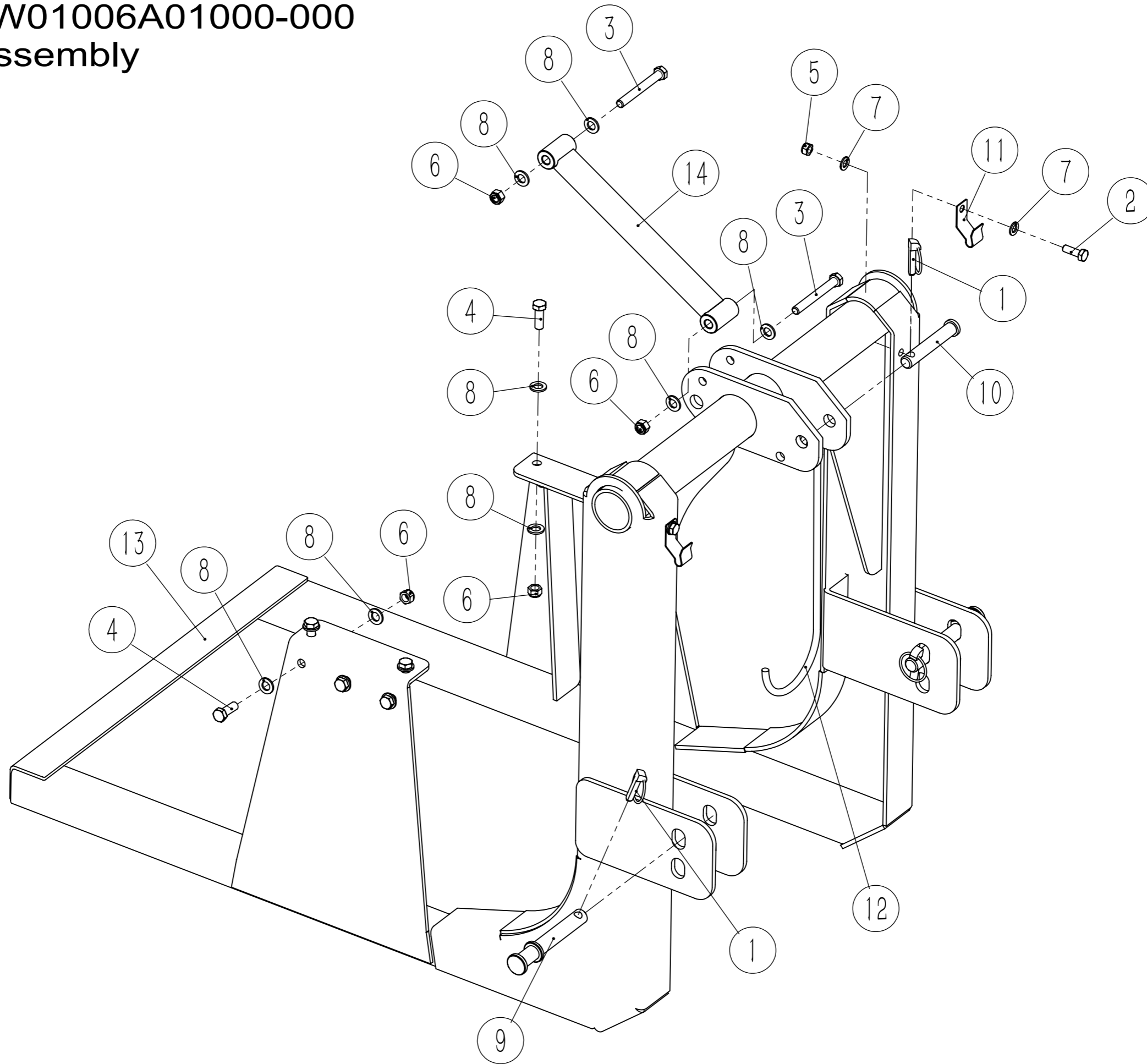


Specification:W01006A00000-000
Name:W.FC130 Wood Chipper
Version:



POS.	COD.	Specification	Description	Qty
1	2060105127	W01006A01000-000	Base assembly	1
2	2090000337	W01006A02000-000	Main frame assembly	1
3	2090000386	W01006A03000-000	Feeding box assembly	1
4	2090000390	W01006A05000-000	Hopper assembly	1
5	2090000092	W01006A06000-000	Discharge chute assembly	1
6	2090000530	W01006A55000-000	Hydraulic system	1
7	2090000392	W01006A56000-000	Oil tank assembly	1

Specification:W01006A01000-000
Name:Base assembly
Version:A

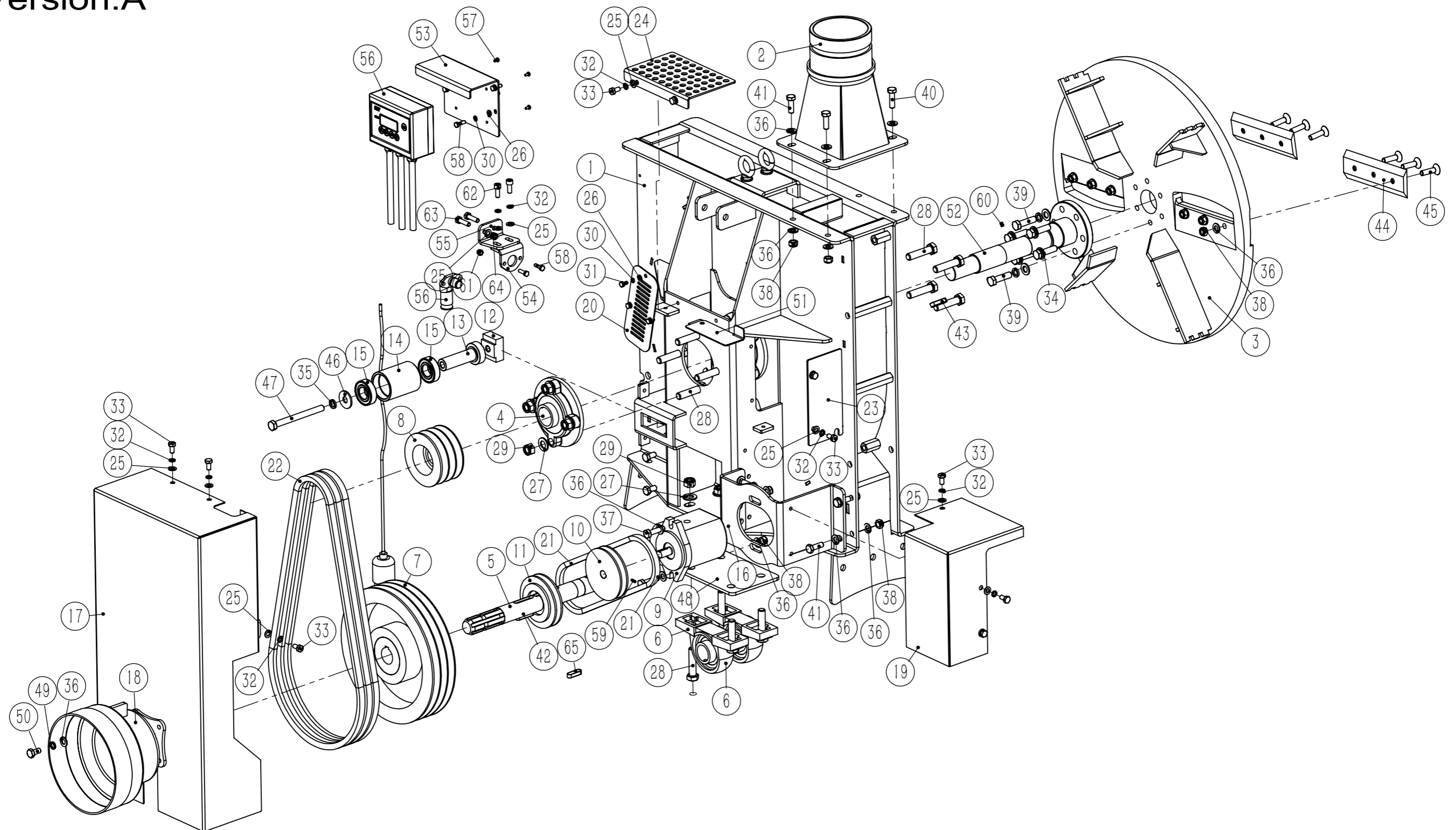


POS.	COD.	Specification	Description	Qty
1	3120400007	GB/T4329-12-EP•Zn	Pin	3
2	3040100045	GB/T5783-M10×30-8.8-EP•Zn	Full-thread hexagon bolts	2
3	3040100082	GB/T5783-M12×100-8.8-EP•Zn	Full-thread hexagon bolts	2
4	3040100069	GB/T5783-M12×35-8.8-EP•Zn	Full-thread hexagon bolts	10
5	3050500004	GB/T889.1-M10-8-EP•Zn	Locknut	2
6	3050500007	GB/T889.1-M12-8-EP•Zn	Locknut	12
7	3080100006	GB/T95-10-EP•Zn	Plain washer	4
8	3080100007	GB/T95-12-EP•Zn	Plain washer	24
9	3120500022	MT95004	Pin	2
10	3120500007	MT95012	Pin	1
11	2000000231	W01006A01000-003	PTO hook holder	2
12	2010000028	W01006A01000-002	PTO shaft hook	1
13	2020000329	W01006A01100-000	Hitch weldment	1
14	2020001227	W01006A01200-000	Rod	1

Specification:W01006A02000-000

Name:Main frame assembly

Version:A

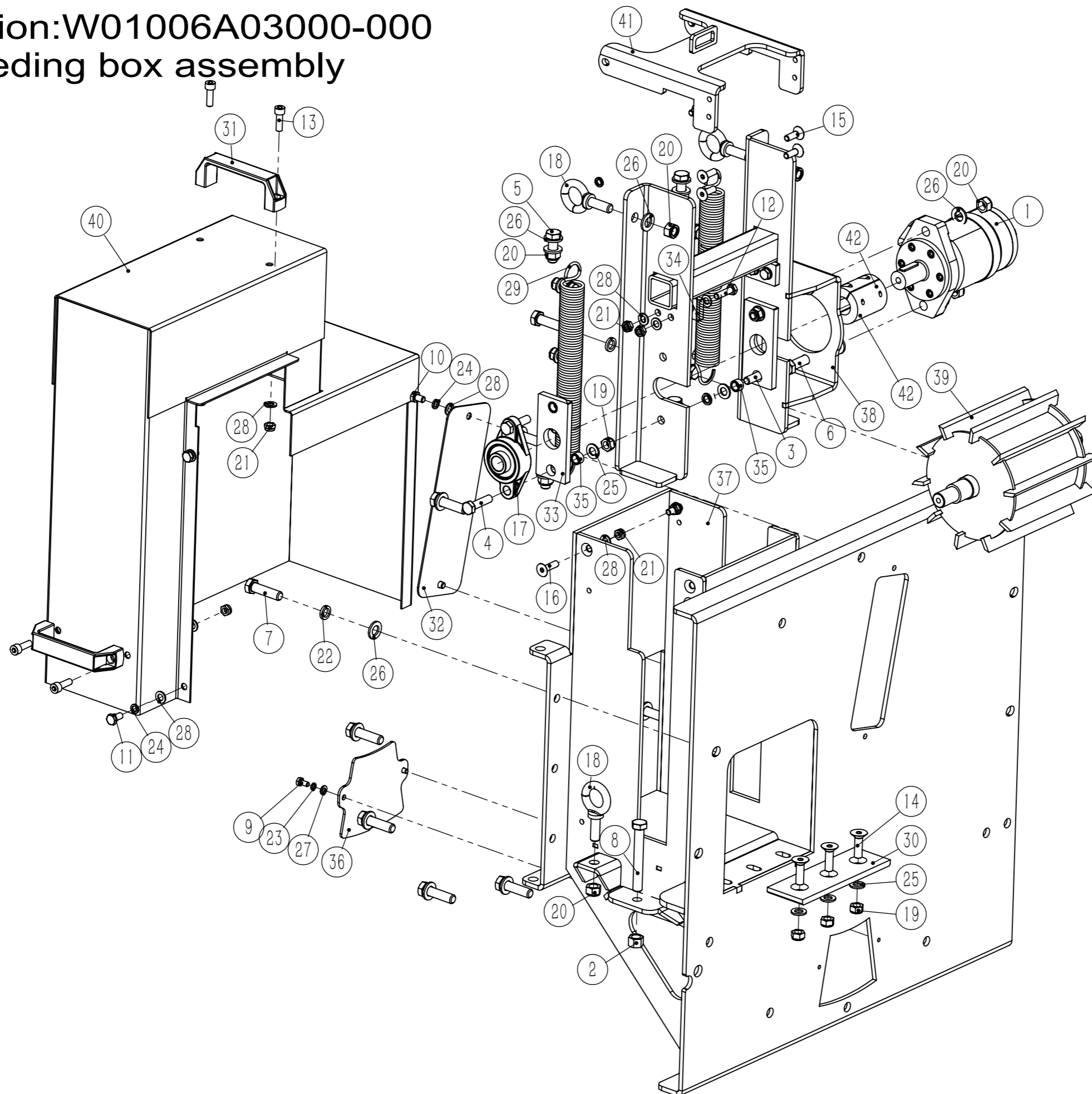


POS.	COD.	Specification	Description	Qty
1	2020000348	W01006A02100-000	Feeding box weldment	1
2	2020001018	W01006A02200-000	Discharge port weldment	1
3	2020000349	W01006A02300-000	Flywheel weldment	1
4	3100700019	GB/T7810-UCFC208	Outer Spherical Ball Bearing with Seat	2
5	3161100010	W01006A02000-130	Accessories	1
6	3100700016	GB/T7810-UCP207	Outer Spherical Ball Bearing with Seat	2
7	3160400044	SPB 280-3-3020-35	Pulley	1
8	3160400045	SPB106-3-1610-35	Pulley	1
9	3180600007	2PF18LJ37P02L	Hydraulic pump	1
10	3160400043	SPA110-1-1-15.9-HT250-O	Pulley	1
11	3160400046	SPA106-1-1610-35	Pulley	1
12	2010000139	W01006A02000-103	Limited block	1
13	2010000122	W01006A02000-104	Idler pulley shaft	1
14	2010000121	W01006A02000-105	Belt idler pulley	1
15	3100100033	GB_T276-6205-2Z	Deep groove ball bearing	2
16	2020001231	W01006A02400-000	Pump support	1
17	2020001228	W01006A02500-000	Belt guard	1
18	3210300014	MT50001	Guard	1
19	2000000228	W01006A02000-101	hydraulic pump guard	1
20	2000000126	W01006A02000-109	Chipper Knife access Cover	1
21	3160300020	GATES-XPA850	Belt	1
22	3160300043	GATES-XPB1430	Belt	3
23	2000000163	W01006A02000-107	Small cover	2
24	2000000161	W01006A02000-108	Top access cover	1
25	3080100004	GB/T95-8-EP•Zn	Plain washer	19

POS.	COD.	Specification	Description	Qty
26	3080100003	GB/T95-6-EP•Zn	Plain washer	8
27	3080100008	GB/T95-14-EP•Zn	Plain washer	12
28	3040100179	GB/T5783-M14×60-8.8-EP•Zn	Full-thread hexagon bolts	12
29	3050500008	GB/T889.1-M14-8-EP•Zn	Locknut	12
30	3080500006	GB/T93-6-EP•Zn	Spring washer	7
31	3040100004	GB/T5783-M6×12-8.8-EP•Zn	Full-thread hexagon bolts	3
32	3080500007	GB/T93-8-EP•Zn	Spring washer	15
33	3040100021	GB/T5783-M8×16-8.8-EP•Zn	Full-thread hexagon bolts	13
34	3080100007	GB/T95-12-EP•Zn	Plain washer	10
35	3080500009	GB/T93-12-EP•Zn	Spring washer	7
36	3080100006	GB/T95-10-EP•Zn	Plain washer	27
37	3040100047	GB/T5783-M10×40-8.8-EP•Zn	Full-thread hexagon bolts	2
38	3050500004	GB/T889.1-M10-8-EP•Zn	Locknut	14
39	3040200019	GB/T5786-M12×1.5×45-8.8-EP•Zn	Full-thread hexagonal bolts (fine pitch)	6
40	3040100046	GB/T5783-M10×35-8.8-EP•Zn	Full-thread hexagon bolts	2
41	3040100045	GB/T5783-M10×30-8.8-EP•Zn	Full-thread hexagon bolts	5
42	3090100010	GB/T1096-A10×8×45-EP•Zn	Square and rectangular keys	1
43	3090100009	GB/T1096-A10×8×40-EP•Zn	Square and rectangular keys	1
44	3220100039	MT21004	Blade	2
45	3060200036	GB/T70.3-M10×40-8.8-EP•Zn	HSCS-Countersunk	6
46	3080200010	GB/T96.2-12-EP•Zn	Large plain washer	1
47	3040100085	GB/T5783-M12×130-8.8-EP•Zn	Full-thread hexagon bolts	1

POS.	COD.	Specification	Description	Qty
48	2000000531	W01006A02000-124	Plate	1
49	3080500008	GB/T93-10-EP•Zn	Spring washer	4
50	3040100041	GB/T5783-M10×20-8.8-EP•Zn	Full-thread hexagon bolts	4
51	2000000524	W01006A02000-125	Cover	1
52	2020001229	W01006A02600-000	Drive shaft tube	1
53	2000000230	W01006A02000-120	EC mounting plate	1
54	2000000600	W01006A02000-121	Sensor mounting plate	1
55	2000000601	W01006A02000-122	Adjusting plate	1
56	3190300006	DK001-1	Luminaire	1
57	3060700001	GB/T818-M4×8-4.8-EP•Zn	Pan head screws with cross recPs	4
58	3040100007	GB/T5783-M6×20-8.8-EP•Zn	Full-thread hexagon bolts	6
59	3060400012	GB/T77-M4×12-45H-EP•Zn	Hexagon socket screws with flat point	1
60	3060400003	GB/T77-M6×8-45H-EP•Zn	Hexagon socket screws with flat point	1
61	3050500002	GB/T889.1-M6-8-EP•Zn	Locknut	2
62	3060100026	GB/T70.1-M8×20-8.8-EP•Zn	Hexagon socket head cap screws	2
63	3040100025	GB/T5783-M8×30-8.8-EP•Zn	Full-thread hexagon bolts	2
64	3050500003	GB/T889.1-M8-8-EP•Zn	Locknut	2
65	3090100008	GB/T1096-A10×8×35-EP•Zn	Square and rectangular keys	1
66	3041300006	GB/T825-M12×35-EP•Zn•P	Eye bolt	2
67	3050500007	GB/T889.1-M12-8-EP•Zn	Locknut	2

Specification:W01006A03000-000
Name:Feeding box assembly
Version:A



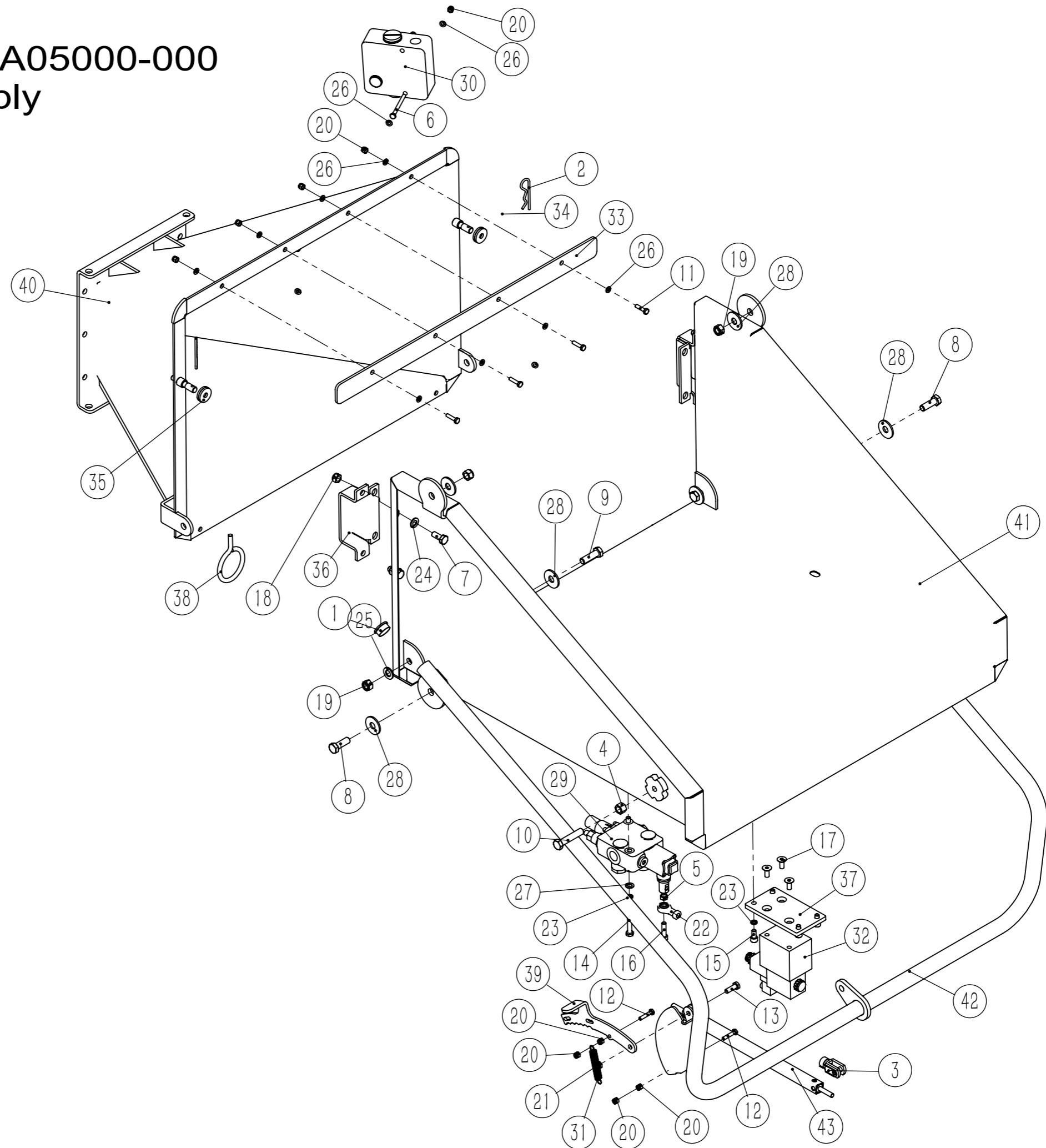
POS.	COD.	Specification	Description	Qty
1	3181000011	155160A6912AAATH	Hydraulic motor	1
2	3050100007	GB/T41-M12-5-EP•Zn	Hexagon Nuts	2
3	3040100045	GB/T5783-M10×30-8.8-EP•Zn	Full-thread hexagon bolts	8
4	3040100047	GB/T5783-M10×40-8.8-EP•Zn	Full-thread hexagon bolts	2
5	3040100069	GB/T5783-M12×35-8.8-EP•Zn	Full-thread hexagon bolts	4
6	3040100071	GB/T5783-M12×40-8.8-EP•Zn	Full-thread hexagon bolts	2
7	3040100072	GB/T5783-M12×45-8.8-EP•Zn	Full-thread hexagon bolts	11
8	3040100081	GB/T5783-M12×90-8.8-EP•Zn	Full-thread hexagon bolts	2
9	3040100004	GB/T5783-M6×12-8.8-EP•Zn	Full-thread hexagon bolts	2
10	3040100020	GB/T5783-M8×12-8.8-EP•Zn	Full-thread hexagon bolts	2
11	3040100021	GB/T5783-M8×16-8.8-EP•Zn	Full-thread hexagon bolts	5
12	3040100025	GB/T5783-M8×30-8.8-EP•Zn	Full-thread hexagon bolts	5
13	3060100027	GB/T70.1-M8×25-8.8-EP•Zn	Hexagon socket head cap screws	4
14	3060200035	GB/T70.3-M10×35-8.8-EP•Zn	HSCS-Countersunk	3
15	3060200019	GB/T70.3-M8×25-8.8-EP•Zn	HSCS-Countersunk	4
16	3060200020	GB/T70.3-M8×30-8.8-EP•Zn	HSCS-Countersunk	2
17	3100700026	GB/T7810-UCFL204	Outer Spherical Ball Bearing with Seat	1
18	3041300006	GB/T825-M12×35-EP•Zn•P	Eye bolt	4
19	3050500004	GB/T889.1-M10-8-EP•Zn	Locknut	13
20	3050500007	GB/T889.1-M12-8-EP•Zn	Locknut	10
21	3050500003	GB/T889.1-M8-8-EP•Zn	Locknut	11
22	3080500009	GB/T93-12-EP•Zn	Spring washer	11

POS.	COD.	Specification	Description	Qty
23	3080500006	GB/T93-6-EP•Zn	Spring washer	2
24	3080500007	GB/T93-8-EP•Zn	Spring washer	9
25	3080100006	GB/T95-10-EP•Zn	Plain washer	21
26	3080100007	GB/T95-12-EP•Zn	Plain washer	27
27	3080100003	GB/T95-6-EP•Zn	Plain washer	2
28	3080100004	GB/T95-8-EP•Zn	Plain washer	23
29	3110100010	LII-3.5×28×248.5×68-R-65Mn-EP•Zn	Tension spring	2
30	3220100040	MT20006	Blade	1
31	3140100008	W.FC130 8-120	Handle	2
32	2000000219	W01006A03000-106	Rear access cover	1
33	2010000147	W01006A03000-115	Slider	2
34	2010000146	W01006A03000-116	Wear slider-upper	2
35	2010000145	W01006A03000-117	Sleeve	4
36	2000000516	W01006A03000-126	Cleaning cover	1
37	2020000350	W01006A03100-000	Feeding box	1
38	2020000527	W01006A03200-000	Roller bracket	1
39	2020000443	W01006A03300-000	Roller	1
40	2020001315	W01006A03400-000	Hydro-motor guard	1
41	2020001230	W01006A03500-000	Feeding box top cover	1
42	3161200602	φ25×8×60	Coupling	1

Specification:W01006A05000-000

Name:Hopper assembly

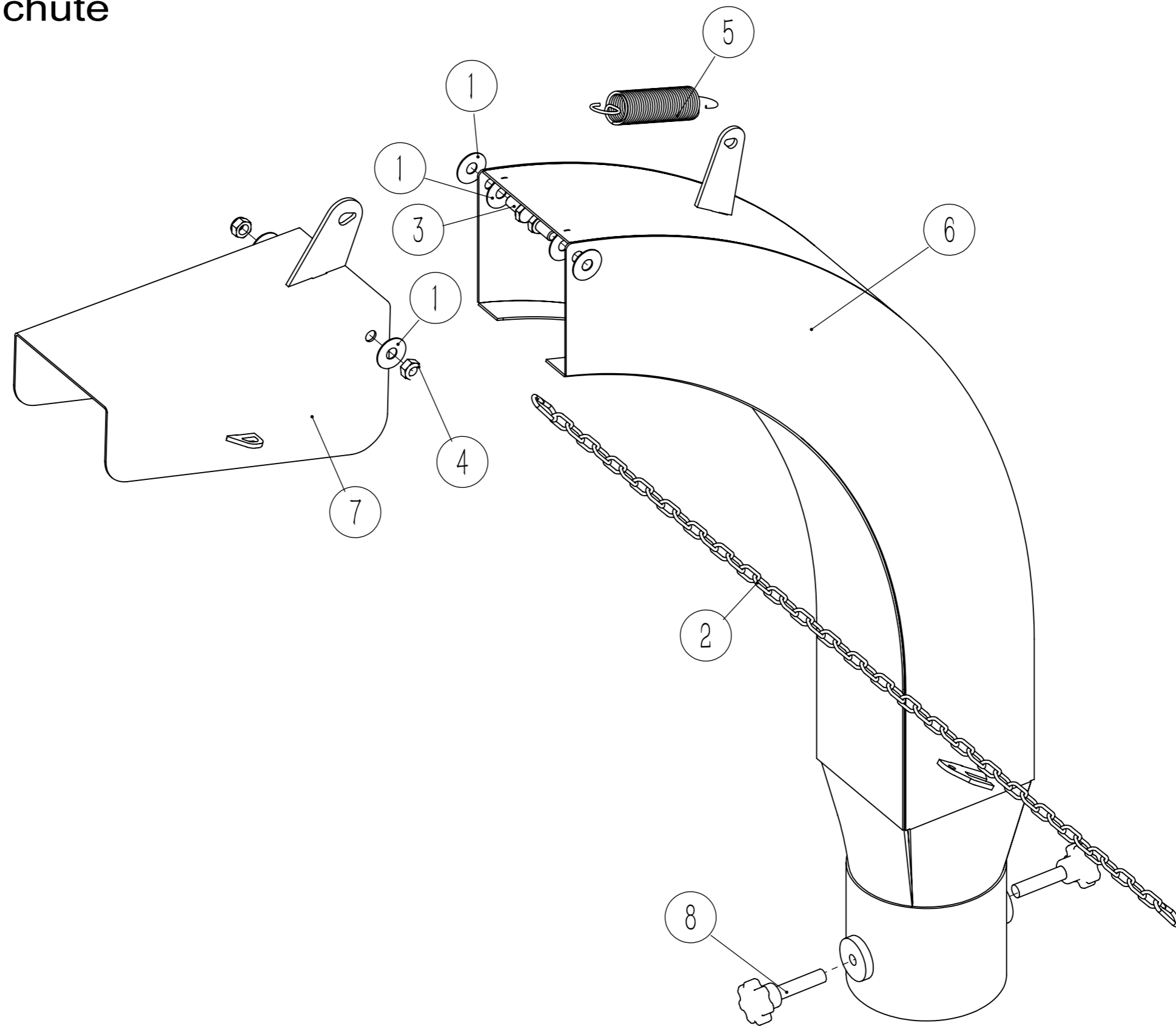
Version:A



POS.	COD.	Specification	Description	Qty
1	3210200002	30x2	Pipe Plug	2
2	3120400008	Din11024-4-EP•Zn	R Pin	2
3	3120400001	FK10×20+CL10×20	Pin	1
4	3050100007	GB/T41-M12-5-EP•Zn	Hexagon Nuts	1
5	3050100004	GB/T41-M8-5-EP•Zn	Hexagon Nuts	2
6	3040300096	GB/T5782-M6×70-8.8-EP•Zn	Hexagon head bolts	2
7	3040100043	GB/T5783-M10×25-8.8-EP•Zn	Full-thread hexagon bolts	4
8	3040100069	GB/T5783-M12×35-8.8-EP•Zn	Full-thread hexagon bolts	2
9	3040100071	GB/T5783-M12×40-8.8-EP•Zn	Full-thread hexagon bolts	2
10	3040100075	GB/T5783-M12×60-8.8-EP•Zn	Full-thread hexagon bolts	1
11	3040100008	GB/T5783-M6×25-8.8-EP•Zn	Full-thread hexagon bolts	4
12	3040100009	GB/T5783-M6×30-8.8-EP•Zn	Full-thread hexagon bolts	2
13	3040100024	GB/T5783-M8×25-8.8-EP•Zn	Full-thread hexagon bolts	1
14	3040100180	GB/T5783-M8×55-8.8-EP•Zn	Full-thread hexagon bolts	2
15	3060100025	GB/T70.1-M8×16-8.8-EP•Zn	Hexagon socket head cap screws	4
16	3060100028	GB/T70.1-M8×30-8.8-EP•Zn	Hexagon socket head cap screws	1
17	3060200018	GB/T70.3-M8×20-8.8-EP•Zn	HSCS-Countersunk	3
18	3050500004	GB/T889.1-M10-8-EP•Zn	Locknut	4
19	3050500007	GB/T889.1-M12-8-EP•Zn	Locknut	4
20	3050500002	GB/T889.1-M6-8-EP•Zn	Locknut	10
21	3050500003	GB/T889.1-M8-8-EP•Zn	Locknut	1
22	3100800004	GB/T9161-SI8E	Joint bearing	1
23	3080500007	GB/T93-8-EP•Zn	Spring washer	6

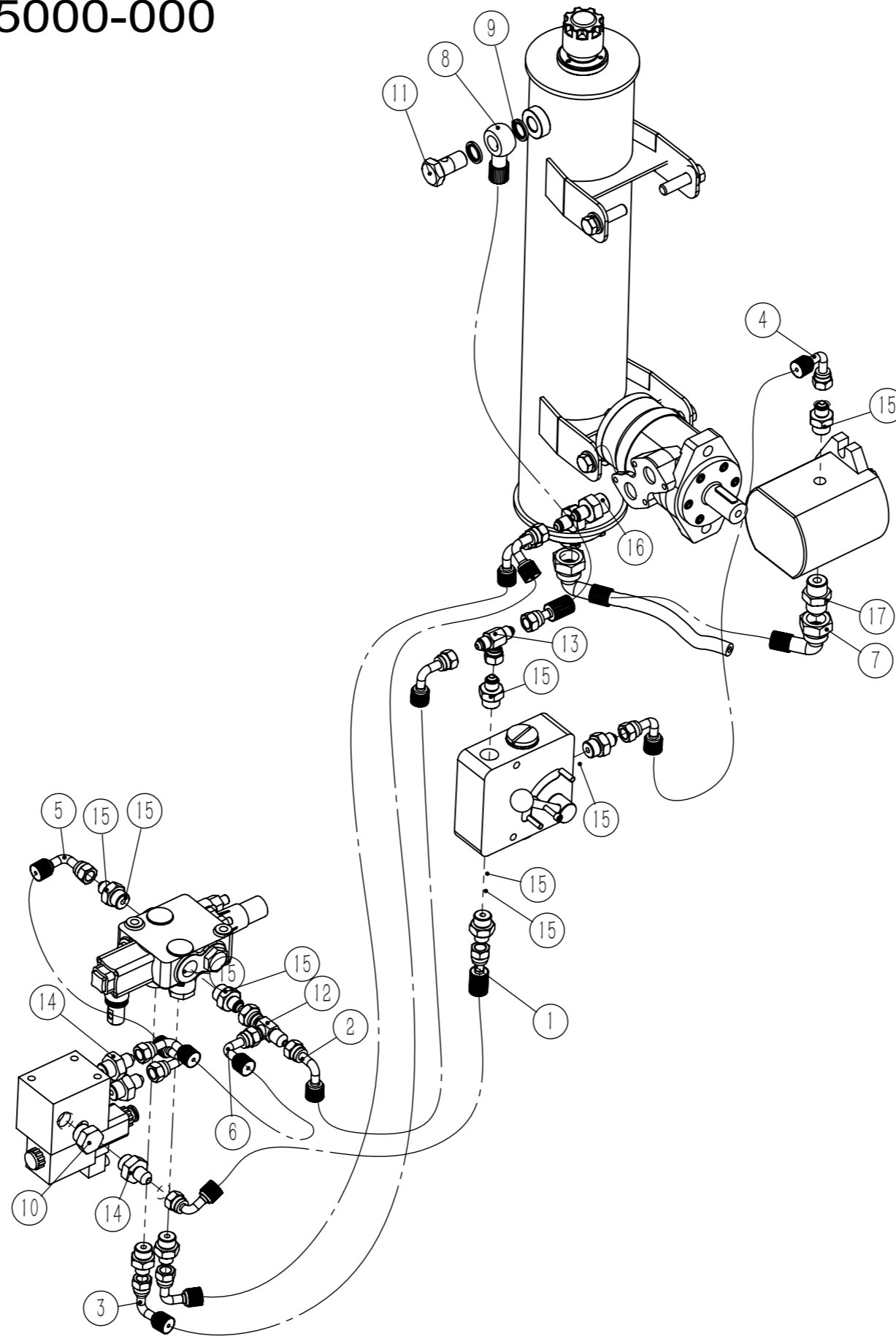
POS.	COD.	Specification	Description	Qty
24	3080100006	GB/T95-10-EP•Zn	Plain washer	4
25	3080100007	GB/T95-12-EP•Zn	Plain washer	2
26	3080100003	GB/T95-6-EP•Zn	Plain washer	14
27	3080100004	GB/T95-8-EP•Zn	Plain washer	2
28	3080200010	GB/T96.2-12-EP•Zn	Large plain washer	6
29	3180700025	HC-M45Y	Hydraulic Valve	1
30	3180700007	LKF.30.3 / 4.16UNF	Hydraulic Valve	1
31	3110100008	LII-3×21×104×24-R-65Mn-EP•Zn	Tension spring	1
32	3180700008	QT15067	Hydraulic Valve	1
33	2000000515	W01006A05000-112	Rubber platen	1
34	2000000468	W01006A05000-113	Blow-back shield	1
35	2000000456	W01006A05000-114	Rubber washer	4
36	2000004929	W01006A05000-118	Rubber platen	2
37	2000000572	W01006A05000-123	Plate	1
38	2010004887	W01006A05000-131	Cliver	1
39	2000000631	W01006A05000-222	Location Pull rod	1
40	2020000442	W01006A05100-000	Feeding hopper	1
41	2020000441	W01006A05200-000	Hopper	1
42	2020000397	W01006A05300-000	Transport Handle	1
43	2020001180	W01006A05400-000	Bar	1

Specification:W01006A06000-000
Name:Discharge chute
assembly
Version:A



POS.	COD.	Specification	Description	Qty
1	3210500001	11*30*1	Nylon shim	6
2	3130100009	3×22×15-47	Galvanized chain	1
3	3040100041	GB/T5783-M10×20-8.8-EP•Zn	Full-thread hexagon bolts	2
4	3050500004	GB/T889.1-M10-8-EP•Zn	Locknut	2
5	3110100016	LII-2.5×27×135×31-R-65Mn-EP-Zn	Tension spring	1
6	2020000973	W01006A06100-000	Discharge chute	1
7	2020000965	W01006A06200-000	Discharge chute cover	1
8	3140100020	WYK.09	Handle	2

Specification:W01006A55000-000
Name:Hydraulic system
Version:A

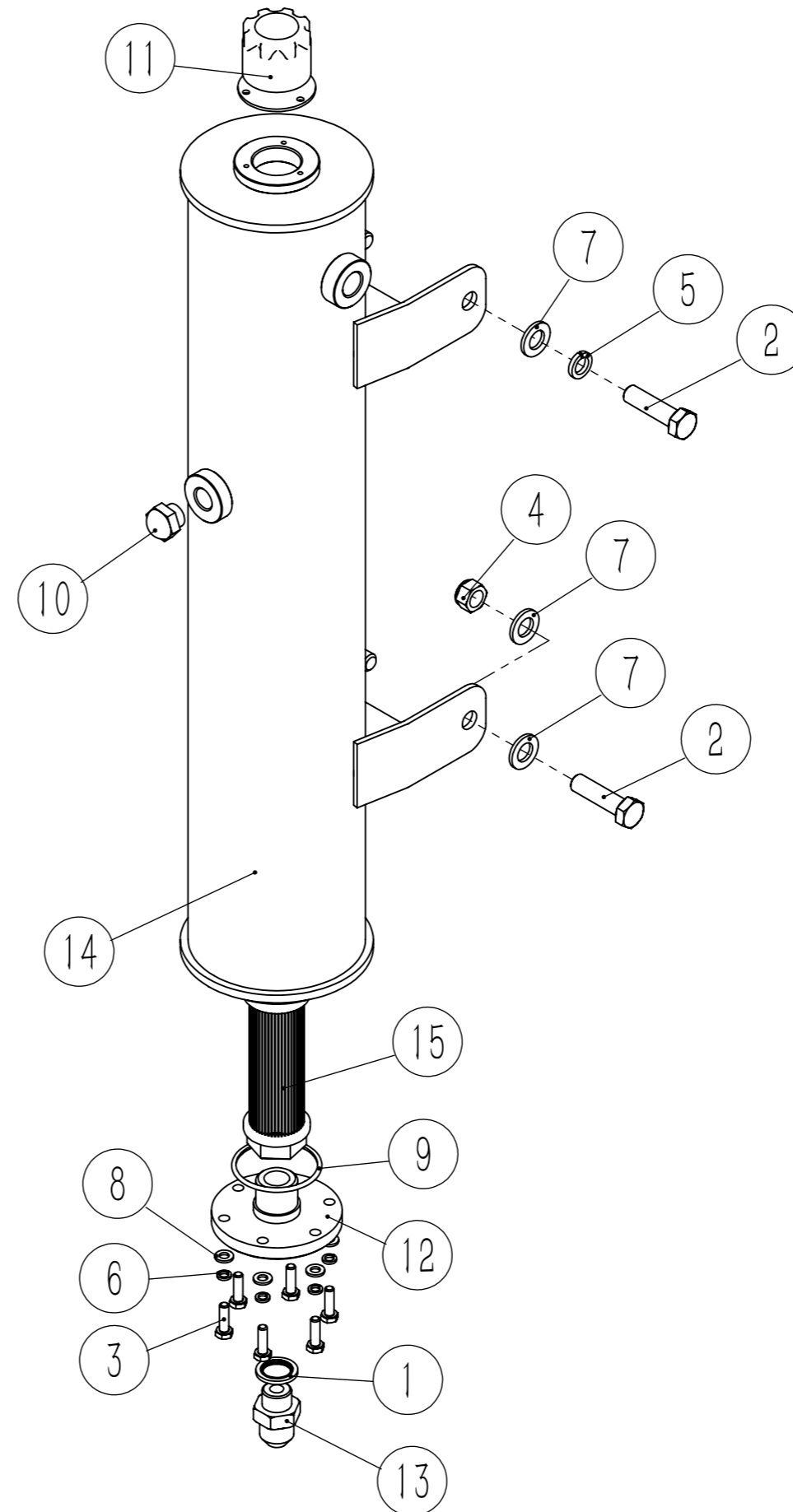


POS.	COD.	Specification	Description	Qty
1	3180200263	2SN08BL×M22512-05-06/M22592-05-06×1400+04	Hose	1
2	3180200264	2SN08BL×M22592-05-06/M22592-05-06×1400V0°+04	Hose	1
3	3180200265	2SN08BL×M22592-05-06/M22592-05-06×1450V270°+04	Hose	2
4	3180200260	2SN08BL×M22592-05-06/M22592-05-06×1800V90°+04	Hose	1
5	3180200261	2SN08BL×M22592-05-06/M22592-05-06×470V180°+04	Hose	1
6	3180200262	2SN08BL×M22592-05-06/M22592-05-06×580V0°+04	Hose	1
7	3180200278	2SN10BL×M22593-06-10/M22593-06-10×375V0°+04	Hose	1
8	3180200235	2SN10BL×O20910-06-18/M22512-06-06×1850+04	Hose	1
9	3170300003	BS/A-18×24.7×2.5-Q235	Combined sealing gaskets	2
10	3181100629	EO-VSTI R1/2EDOMDCF	Valve connector	1
11	3180300014	M18x1.5-37-8-24.5	Hollow bolt	1
12	3180100632	TL-EL10XCF	Transition joints	1
13	3180100634	TL-ET10OMDCF	Transition joints	1
14	3180100633	TL- GE10R1/2EDOMDCF	Transition joints	3
15	3180100103	TL-GE10UNF3/4-16OMDCF	Transition joints	8
16	3180100104	TL-GE10UNF7/8-14OMDCF	Transition joints	2
17	3180400018	TL-GE16UNF7/8-14OMDCF	Flange	1

Specification:W01006A56000-000

Name:Oil tank assembly

Version:A



POS.	COD.	Specification	Description	Qty
1	3170300004	BS/A-19.6×26.9×2.5-Q235	Combined sealing gaskets	1
2	3040100072	GB/T5783-M12×45-8.8-EP•Zn	Full-thread hexagon bolts	4
3	3040100007	GB/T5783-M6×20-8.8-EP•Zn	Full-thread hexagon bolts	6
4	3050500007	GB/T889.1-M12-8-EP•Zn	Locknut	2
5	3080500009	GB/T93-12-EP•Zn	Spring washer	2
6	3080500006	GB/T93-6-EP•Zn	Spring washer	6
7	3080100007	GB/T95-12-EP•Zn	Plain washer	6
8	3080100003	GB/T95-6-EP•Zn	Plain washer	6
9	3170200032	GB3452.1-52×3-NBR-70	O-Ring	1
10	3170600602	JB/T 7941.2-M16X1.5	Oil level indicators	1
11	3180800002	QUQ1-10-1	Breather filter	1
12	3180400019	W01006A56000-214	Flange	1
13	3180400020	W01006A56000-218	Flange	1
14	2020000361	W01006A56100-000	Oil tank weldment	1
15	3180800007	WU-40X100-J	Breather filter	1